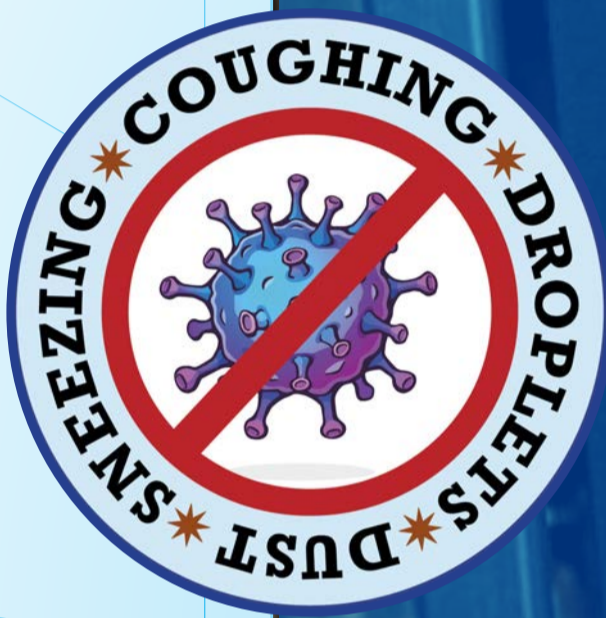


Quality solutions... for decades

caprihans
INDIA LIMITED

STEP
OUT
STAY
SAFE

FACE SHIELDS made from
time-tested PVC film protects
eyes, nose, mouth, full face

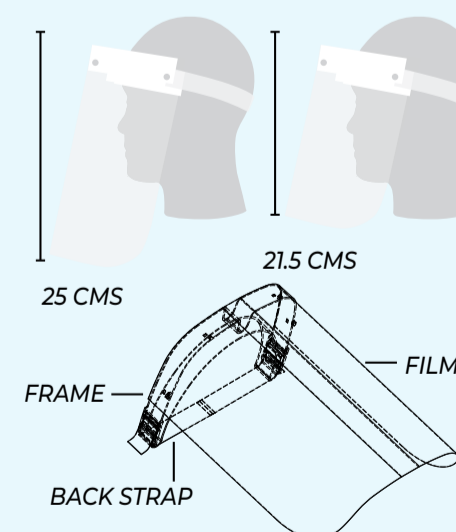


COMFORT
faceshield
by caprihans

ERGONOMICAL DESIGN FOR PERFECT FIT

- 1 LIGHT WEIGHT
- 2 MEDICAL GRADE FILM
- 3 SANITIZABLE, STERILIZABLE
- 4 CUSTOMIZATION FOR BULK ORDERS
- 5 GREATER CLEARANCE FROM FACE
- 6 ERGONOMICAL DESIGN FOR PERFECT FIT

AVAILABLE IN 2 LENGTHS,
REGULAR AND SHORT



DIRECTIONS • USE ONLY AGAINST LIQUIDS OR DUST • THIS SHIELD IS FOR NON-IMPACT PURPOSES • DO NOT USE AS PROTECTION AGAINST OPEN FLAME AND SPARK



ISO 9001 : 2015
ISO 15378 : 2017
ISO 14001 : 2015
ISO 45001 : 2018

QUALITY MANAGEMENT SYSTEM
CGMP - PHARMA PRIMARY PACKAGING
ENVIRONMENTAL MANAGEMENT SYSTEM
OCCUPATIONAL HEALTH AND SAFETY MANAGEMENT SYSTEM



caprihans
INDIA LIMITED

Block D, Shivsagar Estate, Dr. A B Road, Worli, Mumbai - 400018, Maharashtra, INDIA.
Mr Guneet Singh – Mob.: +91 90224 63451, Email: guneet.singh@caprihansindia.com
Mr Supriyo Das – Mob.: +91 98104 82244 / 93100 06054, Email: supriyo.das@caprihansindia.com
Website : www.caprihansindia.com